

## DESCRIPTION

AMC MODEL SWN-218-2DR-STANDARD-F9120AH-27 OPTIONS: 37F, HS15NS, HPR2WP, K, IS A REFLECTIVE SINGLE POLE TWO THROW PIN DIODE SWITCH. IT HAS VERY LOW INSERTION LOSS, HIGH ISOLATION, INTEGRAL TTL DRIVER AND HIGH SPEED WITHIN A 1.10" x 0.85" x 0.38 PACKAGE.

## SPECIFICATIONS

- FREQUENCY RANGE: ..... 36.7 TO 37 GHz
  - INSERTION LOSS: ..... 4.5 dB MAXIMUM
  - ISOLATION: ..... 50 dB MAXIMUM
  - VSWR: ..... 36.7 TO 37 GHz: 2.0:1 MAXIMUM
  - RISE TIME: ..... 15 nSec MAXIMUM
  - FALL TIME: ..... 15 nSec MAXIMUM
  - DELAY ON: ..... 20 nSec MAXIMUM
  - DELAY OFF: ..... 20 nSec MAXIMUM
  - POWER HANDLING: ..... 2 WATT CW OR PEAK
- 
- CONTROL: ..... LOGIC "0" = ON, "1" = OFF
  - POWER SUPPLY: ..... +5V @ 60 mA MAXIMUM  
..... -5V @ 50 mA MAXIMUM
  - SIZE: ..... 1.10" (L) x 0.85" (W) x 0.38" (H)
  - WEIGHT: ..... 0.75 oz.

## OPTIONS:

- 37F: ..... 36.7 TO 37 GHz FREQUENCY RANGE
- HS15NS: ..... HIGH SPEED 15nSEC
- HPR2WP: ..... HIGH POWER 2 WATTS
- K: ..... K RF CONNECTOR

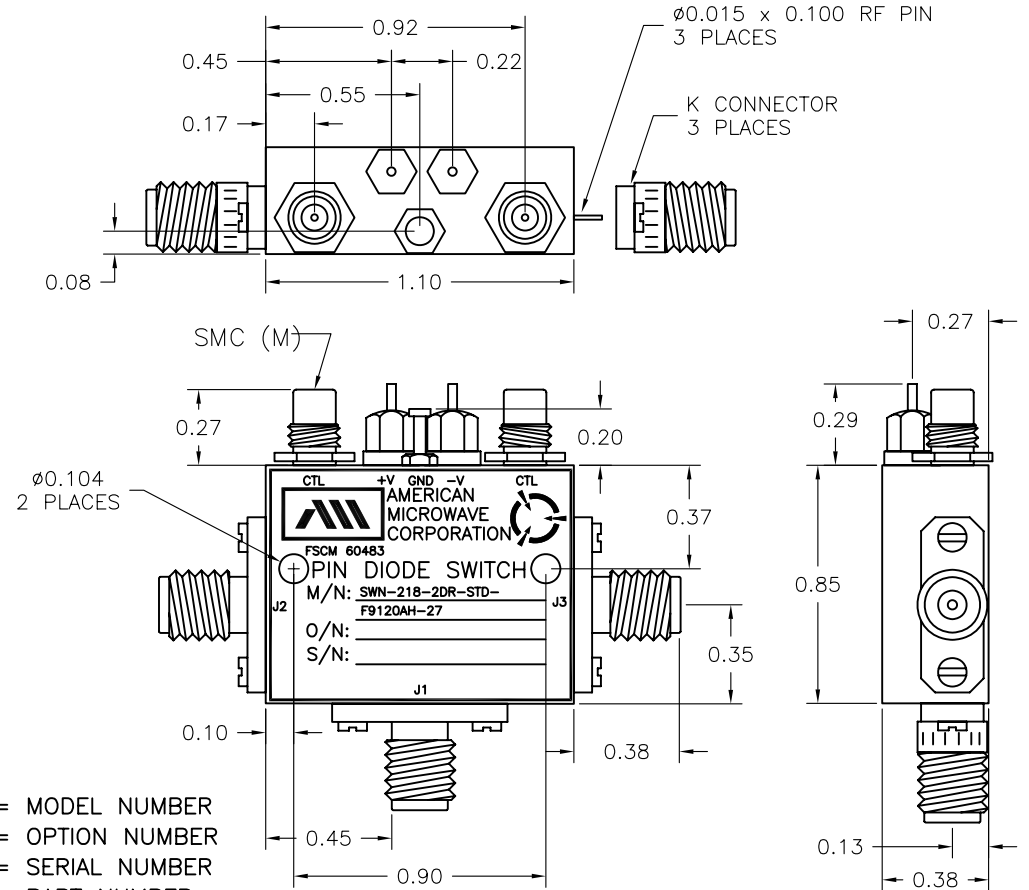
## ENVIRONMENTAL RATINGS:

- TEMPERATURE: ..... -55°C TO +85°C (OPERATING)  
..... -65°C TO +125°C (STORAGE)
- HUMIDITY: ..... MIL-STD-202F, METHOD 103B COND. B
- SHOCK: ..... MIL-STD-202F, METHOD 213B COND. B
- VIBRATION: ..... MIL-STD-202F, METHOD 204D COND. B
- ALTITUDE: ..... MIL-STD-202F, METHOD 105C COND. B
- TEMPERATURE CYCLE: ..... MIL-STD-202F, METHOD 107D COND. A

NOTE: SPECIFICATIONS WILL VARY OVER OPERATING TEMPERATURE  
NOTE: THE ABOVE SPECIFICATIONS ARE SUBJECT TO CHANGE OR REVISION

ALL DIMENSIONS ARE IN INCHES  
TOLERANCES:  
X.XX ±0.020  
X.XXX ±0.010

REVISIONS				
ZONE	REV.	DESCRIPTION	DATE	APPROVED
	-	ORIGINAL RELEASE JOB# 607135PE	10/04/06	



M/N: = MODEL NUMBER  
O/N: = OPTION NUMBER  
S/N: = SERIAL NUMBER  
P/N: = PART NUMBER

## AMERICAN MICROWAVE CORPORATION

7311-G GROVE ROAD  
FREDERICK, MARYLAND 21704 USA  
TEL: 301-662-4700 FAX: 301-662-4938  
WEBSITE: [www.americanmicrowavecorp.com](http://www.americanmicrowavecorp.com)  
E-MAIL: [sales@americanmicrowavecorp.com](mailto:sales@americanmicrowavecorp.com)  
ISO 9001:2000 CERTIFIED

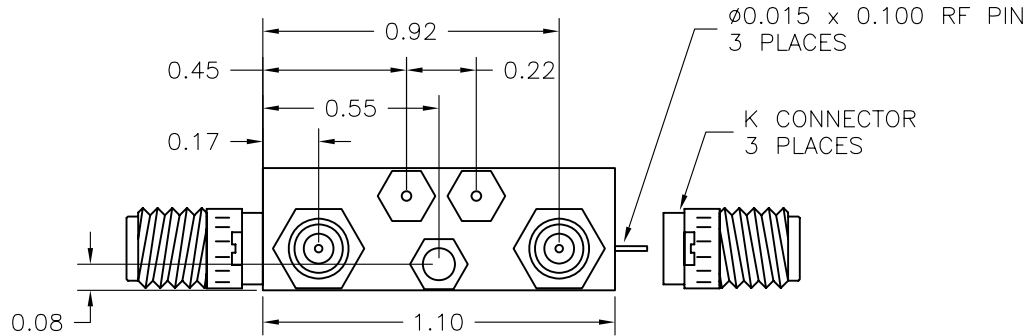


APPROVALS		DATE	TITLE		
DRAWN <i>PRB</i>		10/04/06	PRODUCT FEATURE		
CHECKED <i>RA</i>		10/11/06	SWN-218-2DR-STANDARD-F9120AH-27		
ISSUED			OPTIONS: 37F, HS15NS, HPR2WP, K		
			2-18 GHz, SINGLE POLE TWO THROW SWITCH		
			SIZE	FSCM NO.	DWG NO.
			A	60483	100-7151-001
			SCALE	SHEET	
			N:S	1 OF 4	

# DESCRIPTION

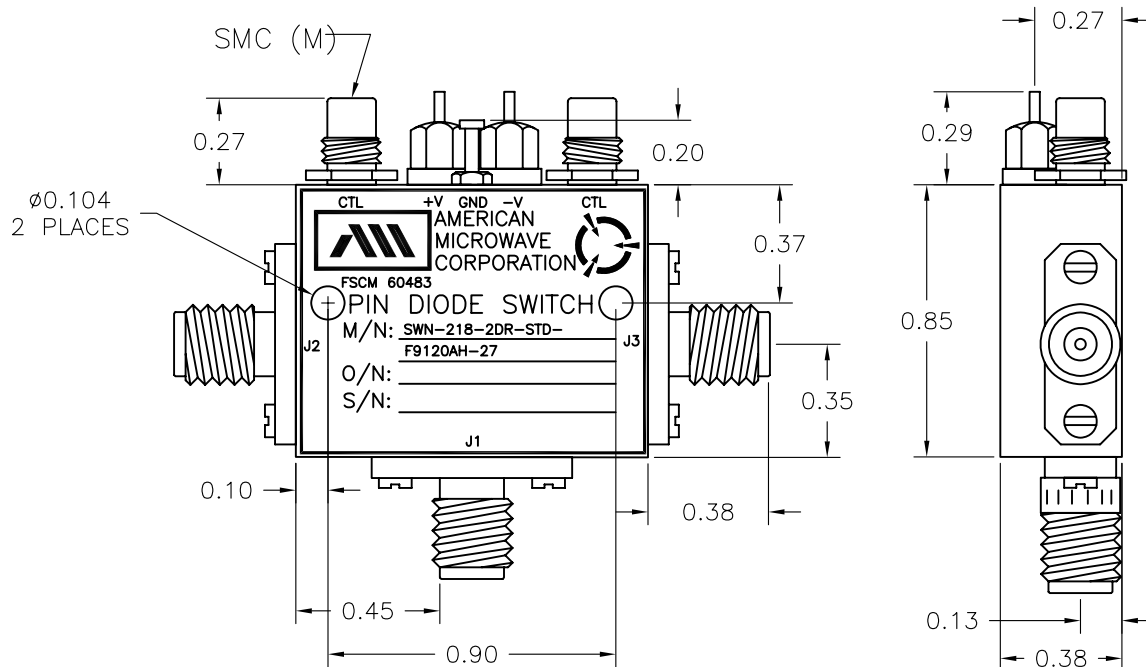
AMC MODEL SWN-218-2DR-STANDARD-F9120AH-27 OPTIONS: 37F, HS15NS, HPR2WP, K, IS A REFLECTIVE SINGLE POLE TWO THROW PIN DIODE SWITCH. IT HAS VERY LOW INSERTION LOSS, HIGH ISOLATION, INTEGRAL TTL DRIVER AND HIGH SPEED WITHIN A 1.10" x 0.85" x 0.38 PACKAGE.

REVISIONS				
ZONE	REV.	DESCRIPTION	DATE	APPROVED
	-	ORIGINAL RELEASE JOB# 607135PE	10/04/06	



M/N: = MODEL NUMBER  
 O/N: = OPTION NUMBER  
 S/N: = SERIAL NUMBER  
 P/N: = PART NUMBER

# MECHANICAL OUTLINE



ALL DIMENSIONS ARE IN INCHES  
 TOLERANCES:  
 X.XX ±0.020  
 X.XXX ±0.010

## AMERICAN MICROWAVE CORPORATION

7311-G GROVE ROAD  
 FREDERICK, MARYLAND 21704 USA  
 TEL: 301-662-4700 FAX: 301-662-4938  
 WEBSITE: [www.americanmicrowavecorp.com](http://www.americanmicrowavecorp.com)  
 E-MAIL: [sales@americanmicrowavecorp.com](mailto:sales@americanmicrowavecorp.com)  
 ISO 9001:2000 CERTIFIED



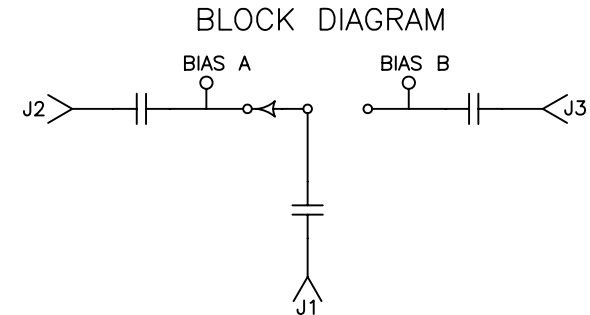
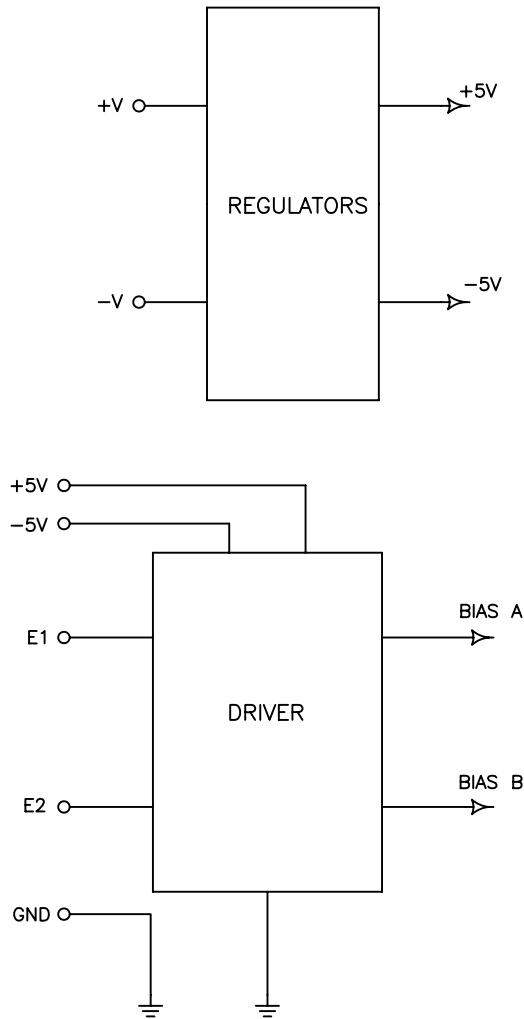
APPROVALS		DATE	TITLE		
DRAWN <i>PRB</i>		10/04/06	MECHANICAL OUTLINE		
CHECKED <i>RA</i>		10/11/06	SWN-218-2DR-STANDARD-F9120AH-27		
ISSUED			OPTIONS: 37F, HS15NS, HPR2WP, K		
SIZE	FSCM NO.	DWG NO.	REV.		
A	60483	100-7151-001	-		
SCALE N:S		SHEET		2 OF 4	

## DESCRIPTION

AMC MODEL SWN-218-2DR-STANDARD-F9120AH-27 OPTIONS: 37F, HS15NS, HPR2WP, K, IS A REFLECTIVE SINGLE POLE TWO THROW PIN DIODE SWITCH. IT HAS VERY LOW INSERTION LOSS, HIGH ISOLATION, INTEGRAL TTL DRIVER AND HIGH SPEED WITHIN A 1.10" x 0.85" x 0.38 PACKAGE.

REVISIONS				
ZONE	REV.	DESCRIPTION	DATE	APPROVED
	-	ORIGINAL RELEASE JOB# 607135PE	10/04/06	

## FUNCTIONAL BLOCK DIAGRAM



## AMERICAN MICROWAVE CORPORATION

7311-G GROVE ROAD  
 FREDERICK, MARYLAND 21704 USA  
 TEL: 301-662-4700 FAX: 301-662-4938  
 WEBSITE: [www.americanmicrowavecorp.com](http://www.americanmicrowavecorp.com)  
 E-MAIL: [sales@americanmicrowavecorp.com](mailto:sales@americanmicrowavecorp.com)  
 ISO 9001:2000 CERTIFIED



APPROVALS		DATE	TITLE			
DRAWN <i>PRB</i>		10/04/06	FUNCTIONAL BLOCK DIAGRAM			
CHECKED <i>RA</i>		10/11/06	SWN-218-2DR-STANDARD-F9120AH-27			
ISSUED			OPTIONS: 37F, HS15NS, HPR2WP, K			
SIZE	FSCM NO.	DWG NO.	REV.			
A	60483	100-7151-001	-			
SCALE N:S			SHEET 3 OF 4			